



RXT42000 SERIES

SIZE CODE 4 M27 COTS



+200°C

| Inductance Range (mH) | DCR (Ohms) | Current Rating (Amps) |
|-----------------------|---------------|-----------------------|
| 0.025 to 20 | 0.018 to 12.4 | 0.22 to 6.16 |

ELECTRICAL SPECIFICATIONS

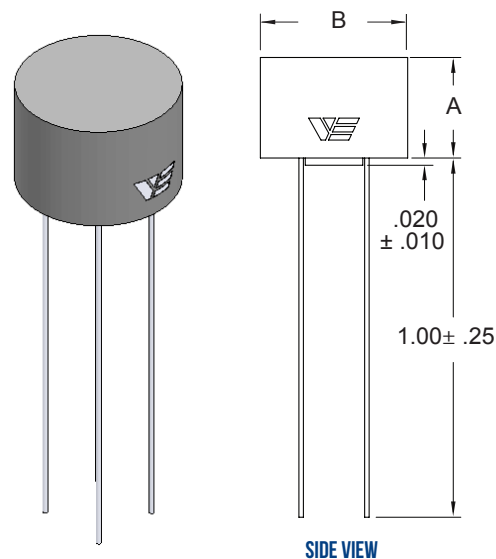
- **Operating Temperature:** -40°C to +200°C
- **Storage Temperature:** -45°C to +205°C
- **Temperature Rise:** ≤ 30°C
- **Inductance at rated DC:** ≤ 30% of initial
- **Dielectric Withstanding Voltage:** 100 V_{RMS}
- **Overload Current:** 1.5 times rated current
- **Different electrical values available upon request**

FEATURES

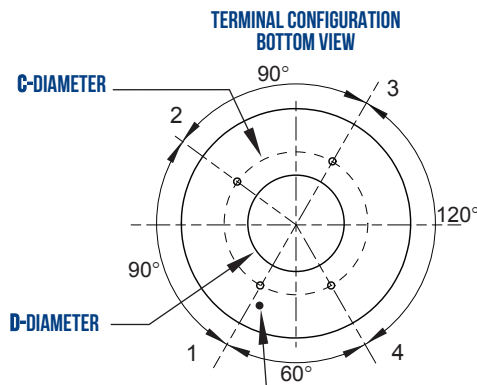
- **Ideal** for geophysical applications in environments ≤ 200°C
- **Compact**, low profile, ideal for automatic placement
- **Terminations:** Pure-tin
- **Welded Internal Connections** - no reflow risk
- **Moisture, Shock and Immersion Resistant**
- **Self Shielding**
- **Other termination finishes available**

APPLICATIONS

- Filter inductors
- Power supplies
- Ripple suppressors
- DC/DC converters
- Common mode chokes
- SEPIC converters

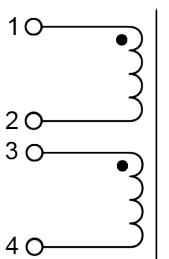


| SIZE CODE | A MAX | B MAX | C ± .010 | D MAX | TERMINAL DIAMETER |
|-----------|-------|-------|----------|-------|-------------------|
| 4 (IN) | .500 | .800 | .560 | .550 | .016±.002 |
| 4 (MM) | 12.70 | 20.32 | 14.22 | 14.00 | 0.41 |

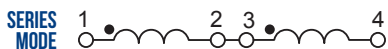


Dot identifies terminal 1. Terminals are clockwise from pin 1.
MARKINGS: LASER ETCH OR INK

SCHEMATIC



TYPICAL USER CONNECTIONS



RXT42000 SERIES

SIZE CODE 4





+200°C

DATA TABLE

| M27/356 Dash No. (For Ref.) | Vanguard Part Number | Series Inductance (mH)* | Series DC Current max (Amps) | Series DCR (Ohms ±25%) | Parallel Inductance (mH) | Parallel DC Current max (Amps) | Parallel DCR (Ohms ±25%) |
|-----------------------------|----------------------|-------------------------|------------------------------|------------------------|--------------------------|--------------------------------|--------------------------|
| -04 | RXT42650 | 20 | 0.22 | 12.4 | 5 | 0.44 | 3.1 |
| -09 | RXT42655 | 15 | 0.25 | 9.3 | 3.75 | 0.50 | 2.325 |
| -14 | RXT42660 | 10 | 0.31 | 6.2 | 2.5 | 0.62 | 1.55 |
| -19 | RXT42665 | 7.5 | 0.38 | 4.7 | 1.88 | 0.76 | 1.175 |
| -24 | RXT42670 | 5.0 | 0.47 | 3.1 | 1.25 | 0.94 | 0.775 |
| -29 | RXT42675 | 3 | 0.6 | 1.9 | 0.75 | 1.2 | .475 |
| -34 | RXT42680 | 2 | 0.74 | 1.3 | 0.5 | 1.48 | 0.325 |
| -39 | RXT42685 | 1 | 1 | 0.62 | 0.25 | 2 | 0.155 |
| -44 | RXT42690 | 0.750 | 1.2 | 0.47 | 0.1875 | 2.4 | 0.1175 |
| -49 | RXT42695 | 0.500 | 1.47 | 0.31 | 0.125 | 2.94 | 0.0775 |
| -54 | RXT42700 | 0.250 | 2.08 | 0.16 | 0.0625 | 4.16 | 0.063 |
| -59 | RXT42705 | 0.100 | 3.08 | 0.07 | 0.025 | 6.16 | 0.018 |

Inductance measured at 10 kHz, 0.1 V_{RMS}

* Inductance tolerance +25/-5 %

CUSTOM DESIGNS & MODIFICATIONS:

Other electrical configurations and performance characteristics are available in various sizes and package types

RXT42000 SERIES

SIZE CODE 4

