



SCMN40 SERIES

NANOCRYSTALLINE COMMON MODE CHOKE



ALL PARTS AVAILABLE AS CLASS S OR CLASS B

MIL-STD-981

Inductance Range (mH)	DCR max (Ohms)	Current Rating (A)
1.2 - 250	0.002 - 0.190	28.7 - 3.0

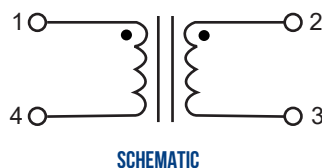
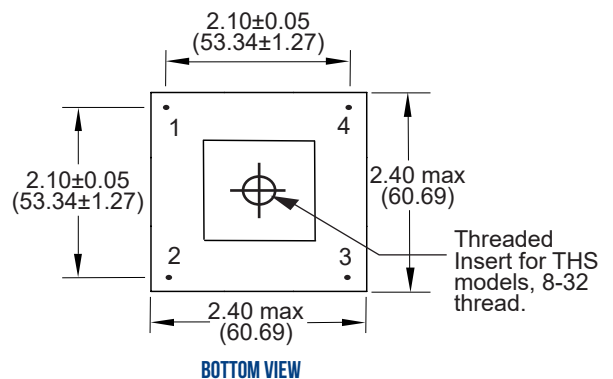
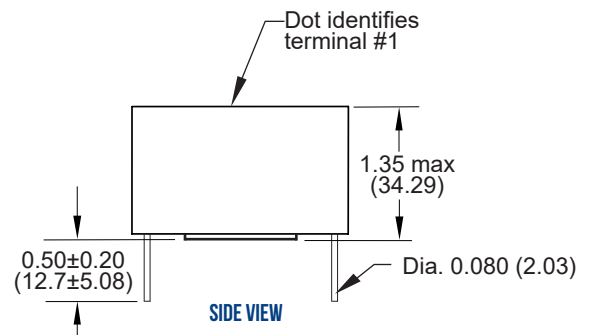
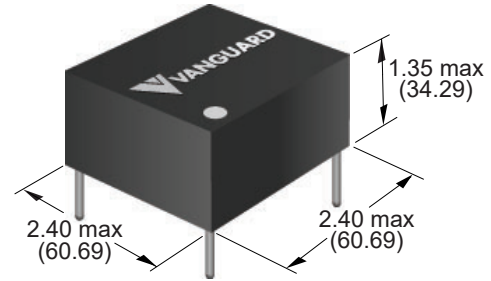
DIMENSIONS: INCHES (MM)
MARKINGS: LASER ETCH OR INK

ELECTRICAL SPECIFICATIONS

- **Operating Temperature:** -55°C to +125°C
- **Storage Temperature:** -60°C to +130°C
- **Temperature Rise @ 100°C:** < 30°C
- **Dielectric Withstanding Voltage:** 1000 V_{RMS}
- **Overload Current:** 1.5 times rated current
- **Different electrical values available upon request**

FEATURES

- **Terminations:** SnPb, Lead Free (RoHS)
- **Resistance to Soldering Heat:** 265°C for 10 seconds
- **Moisture, Shock and Immersion Resistant**
- **Magnetically Shielded**
- **Ideally designed for GaN applications and higher switching frequencies**
- **Designed with nanocrystalline core for superior thermal stability and higher frequency operations**
- **NASA outgassing compliant per ASTM E595** (TML <1%, CVCM <0.1%)



CUSTOM DESIGNS & MODIFICATIONS:

Other electrical configurations and performance characteristics are available in various sizes and package types





DATA TABLE

Vanguard P/N	Inductance @ 10kHz ± 30% (mH)	DCR Max (Ohms)	Rated Current (A)
SCMN40-124TH	1.2	0.002	28.7
SCMN40-234TH	2.3	0.003	24.0
SCMN40-474TH	4.7	0.004	20.3
SCMN40-804TH	8.0	0.006	17.8
SCMN40-105TH	10.6	0.008	14.8
SCMN40-175TH	17.0	0.013	11.8
SCMN40-255TH	25.0	0.019	9.6
SCMN40-375TH	37.0	0.029	7.7
SCMN40-515TH	51.0	0.043	6.4
SCMN40-615TH	61.0	0.058	5.4
SCMN40-755TH	75.0	0.065	5.2
SCMN40-106TH	100	0.075	4.8
SCMN40-156TH	150	0.115	3.9
SCMN40-206TH	200	0.135	3.6
SCMN40-256TH	250	0.190	3

1/ Inductance measured at 10 kHz, 0.10 V_{RMS}

2/ DCR measured at room ambient temperature (25°C)

VE PART NUMBER STRUCTURE KEY

INDUCTANCE (uH) (mH)

124 = 1200 uH
255 = 25.0 mH
256 = 250 mH

EXAMPLE: SCMN40-124THS-3-B

TERMINATION

S	SnPb
R	Pure Tin

RELIABILITY

2	Group A MIL-STD-981
3	Group A+B MIL-STD-981
7	Other

PACKAGING (Default Bulk)

B	Bulk
---	------

CUSTOM DESIGNS & MODIFICATIONS:

Other electrical configurations and performance characteristics are available in various sizes and package types

SCMN40 SERIES

