



SCMN20 SERIES NANOCRYSTALLINE COMMON MODE CHOKE



ALL PARTS AVAILABLE AS CLASS S OR CLASS B

MIL-STD-981

Inductance Range (mH)	DCR max (Ohms)	Current Rating (A)
0.55 - 75	0.003 - 0.335	14.3 - 1.4

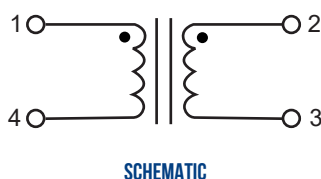
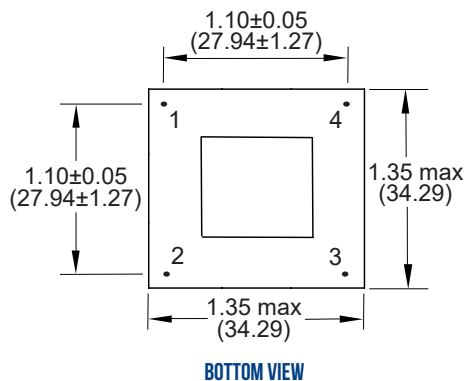
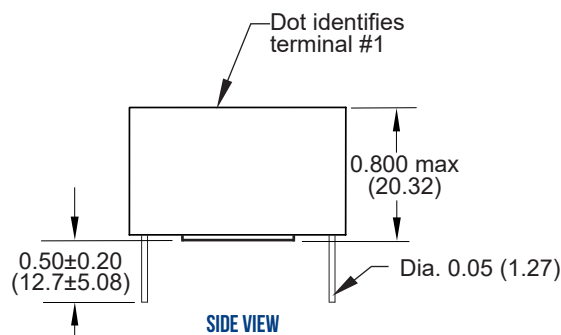
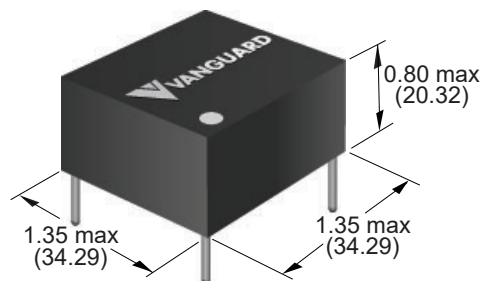
DIMENSIONS: INCHES (MM)
MARKINGS: LASER ETCH OR INK

ELECTRICAL SPECIFICATIONS

- **Operating Temperature:** -55°C to +125°C
- **Storage Temperature:** -60°C to +130°C
- **Temperature Rise @ 100°C:** < 30°C
- **Dielectric Withstanding Voltage:** 1000 V_{RMS}
- **Overload Current:** 1.5 times rated current
- **Different electrical values available upon request**

FEATURES

- **Terminations:** SnPb, Lead Free (RoHS)
- **Resistance to Soldering Heat:** 265°C for 10 seconds
- **Moisture, Shock and Immersion Resistant**
- **Magnetically Shielded**
- **Ideally designed for GaN applications and higher switching frequencies**
- **Designed with nanocrystalline core for superior thermal stability and higher frequency operations**
- **NASA outgassing compliant per ASTM E595** (TML <1%, CVCM <0.1%)



CUSTOM DESIGNS & MODIFICATIONS:

Other electrical configurations and performance characteristics are available in various sizes and package types





DATA TABLE

Vanguard P/N	Inductance @ 10kHz ± 30% (mH)	DCR Max (Ohms)	Rated Current (A)
SCMN20-553TH	0.55	0.004	14.3
SCMN20-104TH	1.0	0.004	12.6
SCMN20-224TH	2.2	0.006	10.2
SCMN20-504TH	5.0	0.009	8.4
SCMN20-754TH	7.5	0.014	6.8
SCMN20-105TH	10	0.020	5.6
SCMN20-185TH	18	0.041	3.9
SCMN20-255TH	25	0.060	3.2
SCMN20-385TH	38	0.095	2.5
SCMN20-525TH	52	0.175	2.3
SCMN20-675TH	67	0.315	1.7
SCMN20-755TH	75	0.335	1.4

1/ Inductance measured at 10 kHz, 0.10 V_{RMS}

2/ DCR measured at room ambient temperature (25°C)

VE PART NUMBER STRUCTURE KEY

INDUCTANCE (uH) (mH)

553 = 550 uH
754 = 7.5 mH
755 = 75 mH

EXAMPLE: SCMN20-553THS-3-B

TERMINATION

S	SnPb
R	Pure Tin

RELIABILITY

2	Group A MIL-STD-981
3	Group A+B MIL-STD-981
7	Other

PACKAGING (Default Bulk)

B	Bulk
---	------

CUSTOM DESIGNS & MODIFICATIONS:

Other electrical configurations and performance characteristics are available in various sizes and package types

SCMN20 SERIES

