



## CMN6 SERIES NANOCRYSTALLINE COMMON MODE CHOKE



COTS+

### ELECTRICAL SPECIFICATIONS

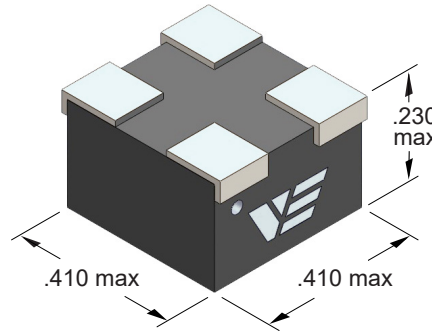
- **Operating Temperature:** -55°C to +125°C
- **Storage Temperature:** -60°C to +130°C
- **Temperature Rise:** < 30°C
- **Inductance:** Measured at 10kHz, 0.10V
- **DCR:** Measured at room ambient (25°C)
- **Dielectric Withstanding Voltage:** 1000 V<sub>RMS</sub>
- **Overload Current:** 1.5 times rated current
- **Different electrical values available upon request**

### FEATURES

- **Compact**, low profile, ideal for automatic placement
- **Terminations:** HMP solder, Lead Free (RoHS)
- **Resistance to Soldering Heat:** 265°C for 10 seconds
- **Welded Internal Connections** - no reflow risk
- **Moisture, Shock and Immersion Resistant**
- **Magnetically Shielded**
- **Other termination finishes available**
- **Ideally designed for GaN applications and higher switching frequencies**
- **Designed with nanocrystalline core for superior thermal stability and higher frequency operations**

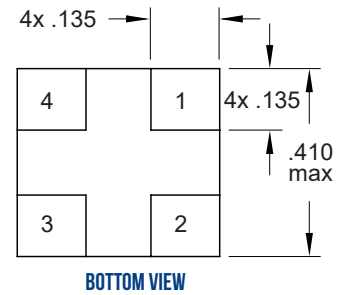
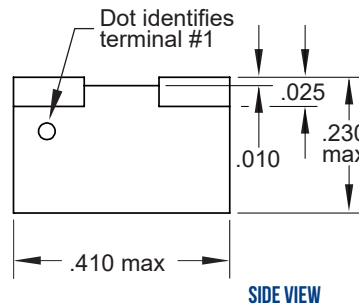
Inductance Range (mH)	DCR max (Ohms)	Current Rating (A)
0.06 - 10.3	0.006 - 0.262	4.89 - 0.94

ALL DIMENSIONS: INCHES

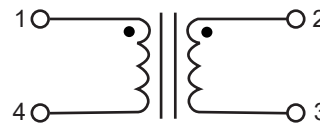
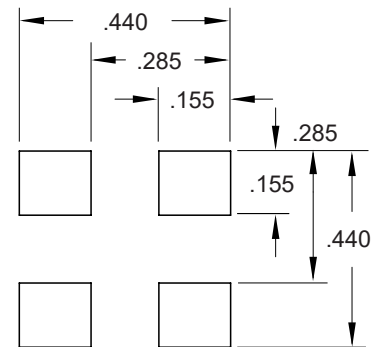


THRU-HOLE & GULL-WING PACKAGES ALSO AVAILABLE

MARKINGS: LASER ETCH OR INK



IN	MM
0.440	11.18
0.410	10.41
0.285	7.24
0.230	5.84
0.155	3.94
0.135	3.43
0.025	0.64
0.010	0.25



### CUSTOM DESIGNS & MODIFICATIONS:

Other electrical configurations and performance characteristics are available in various sizes and package types

## CMN6 SERIES





DATA TABLE

Vanguard P/N	Inductance @ 10kHz ± 40% (mH)	DCR Max (Ohms)	Rated Current (A)
CMN6-602*-*-*	0.06	0.006	4.89
CMN6-133*-*-*	0.13	0.010	4.38
CMN6-233*-*-*	0.23	0.013	4.09
CMN6-353*-*-*	0.35	0.016	3.92
CMN6-513*-*-*	0.51	0.025	3.55
CMN6-693*-*-*	0.69	0.029	3.28
CMN6-903*-*-*	0.90	0.041	2.75
CMN6-114*-*-*	1.1	0.046	2.60
CMN6-144*-*-*	1.4	0.051	2.46
CMN6-174*-*-*	1.7	0.056	2.35
CMN6-204*-*-*	2.0	0.078	1.99
CMN6-244*-*-*	2.4	0.085	1.91
CMN6-284*-*-*	2.8	0.091	1.84
CMN6-324*-*-*	3.2	0.098	1.78
CMN6-364*-*-*	3.6	0.106	1.53
CMN6-414*-*-*	4.1	0.112	1.49
CMN6-464*-*-*	4.6	0.119	1.45
CMN6-514*-*-*	5.1	0.125	1.41
CMN6-564*-*-*	5.6	0.153	1.23
CMN6-624*-*-*	6.2	0.161	1.20
CMN6-684*-*-*	6.8	0.168	1.18
CMN6-744*-*-*	7.4	0.224	1.02
CMN6-814*-*-*	8.1	0.233	1.00
CMN6-884*-*-*	8.8	0.243	0.98
CMN6-954*-*-*	9.5	0.253	0.96
CMN6-105*-*-*	10.3	0.262	0.94

VE PART NUMBER STRUCTURE KEY

EXAMPLE: CMN6-204S-1-T

INDUCTANCE (uH) (mH)

602 = 60 uH
144 = 1.4 mH
884 = 8.8 mH

TERMINATION

Table with 2 columns: Termination Code (S, R) and Termination Type (SnPb, Pure Tin)

RELIABILITY

Table with 2 columns: Reliability Code (1, 7) and Reliability Type (COTS/EM, Other)

PACKAGING (Default Bulk)

Table with 2 columns: Packaging Code (B, T) and Packaging Type (Bulk, Tape and Reel)

Tape and reel specs
Pcs. / reel maximum, (13") 530
Pitch between parts: 16 mm
Tape width: 24 mm

CUSTOM DESIGNS & MODIFICATIONS:

Other electrical configurations and performance characteristics are available in various sizes and package types

CMN6 SERIES COTS+ logo

