



C3 1000 SERIES



RoHS VERSION AVAILABLE

COTS+

Nominal Inductance Range (uH)	Typical Q	Current Rating (mA)
0.018 to 120	22 to 55	22 to 750

ELECTRICAL SPECIFICATIONS

- **Resistance to Solder Heat:** 260°C for 10 seconds
- **Operating Temperature:** -55°C to +125°C
- **Storage Temperature:** -60°C to +130°C
- **Temperature Rise:** 30°C Max at 90°C Ambient
- **Temperature Coefficient of Inductance**
 - P/N 31000 thru 31011: +125 PPM/oC Max.
 - P/N 31012 thru 31048: +80 PPM/oC Max.

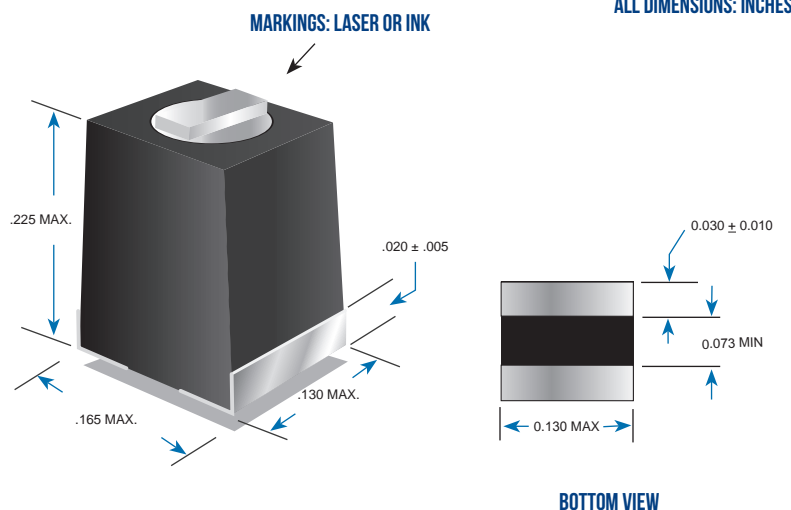
FEATURES

- **Transfer Molded Package**
- **Internal Welded Terminations**
- **Terminations:** Tin-lead over phosphor bronze
- **Optional Termination on Request:**
RoHS compliant terminations
- **Tape and Reel Packaging Available**
- **Recommended Mounting Technique**
 - Reflow or Vapor Phase Soldering
 - Conductive Epoxy
 - Wire bonding (gold lead only)

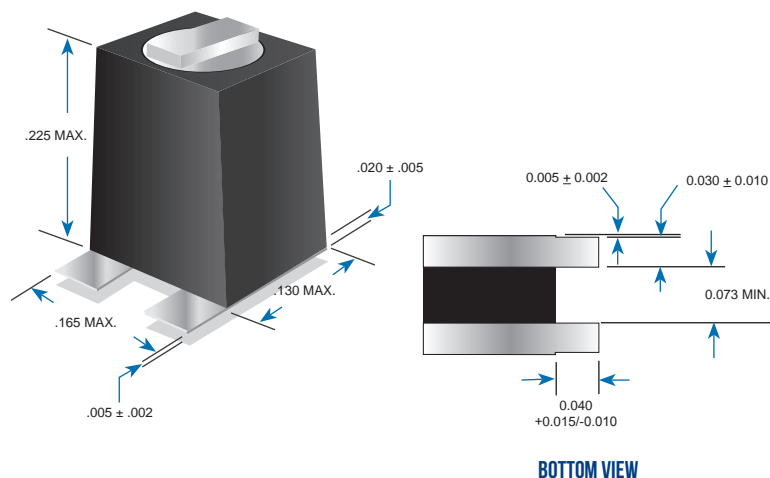
APPLICATIONS

- **Additional Application Grades Available:**
 - Space Grade (MIL-STD-981)
 - Commercial Grade or Equivalent

NO TABS



WITH TABS





WITH TAB TERMINATIONS	WITHOUT TAB TERMINATIONS						
VE P/N	VE P/N	Inductance (uH)	Test Freq (MHz)	Q Min	SRF Min (MHz)	DCR Max (Ohms)	Current Max (mA)
C31000	C31000-NT	0.018	150	50	1200	0.03	750
C31001	C31001-NT	0.022	150	55	1100	0.03	750
C31002	C31002-NT	0.027	150	55	1000	0.03	750
C31003	C31003-NT	0.033	150	55	900	0.04	750
C31004	C31004-NT	0.039	150	55	750	0.04	750
C31005	C31005-NT	0.047	100	55	660	0.04	750
C31006	C31006-NT	0.056	100	55	610	0.05	700
C31007	C31007-NT	0.068	100	55	550	0.05	700
C31008	C31008-NT	0.082	100	55	520	0.06	645
C31009	C31009-NT	0.10	100	55	490	0.06	645
C31010	C31010-NT	0.12	50	50	460	0.07	600
C31011	C31011-NT	0.15	50	50	430	0.08	560
C31012	C31012-NT	0.18	50	50	385	0.09	525
C31013	C31013-NT	0.22	50	45	330	0.10	500
C31014	C31014-NT	0.27	50	45	300	0.15	400
C31015	C31015-NT	0.33	50	45	275	0.19	360
C31016	C31016-NT	0.39	50	40	240	0.25	300
C31017	C31017-NT	0.47	25	40	210	0.30	280
C31018	C31018-NT	0.56	25	40	190	0.40	250
C31019	C31019-NT	0.68	25	40	165	0.60	200
C31020	C31020-NT	0.82	25	40	155	0.70	180
C31021	C31021-NT	1.0	25	40	140	0.90	160
C31022	C31022-NT	1.2	25	35	125	1.10	150
C31023	C31023-NT	1.5	7.9	30	115	1.30	135
C31024	C31024-NT	1.8	7.9	30	105	1.70	120
C31025	C31025-NT	2.2	7.9	30	100	2.3	100
C31026	C31026-NT	2.7	7.9	25	85	3.0	90
C31027	C31027-NT	3.3	7.9	25	75	3.9	80
C31028	C31028-NT	3.9	7.9	25	47	3.9	80
C31029	C31029-NT	4.7	7.9	25	30	3.9	80
C31030	C31030-NT	5.6	7.9	22	24	4.0	75
C31031	C31031-NT	6.8	7.9	22	23	4.0	75
C31032	C31032-NT	8.2	7.9	22	22	4.5	72
C31033	C31033-NT	10	7.9	22	21	4.5	72

CUSTOM DESIGNS & MODIFICATIONS:

Other electrical configurations and performance characteristics are available in various sizes and package types

C31000 SERIES





WITH TAB TERMINATIONS	WITHOUT TAB TERMINATIONS						
VE P/N	VE P/N	Inductance (uH)	Test Freq (MHz)	Q Min	SRF Min (MHz)	DCR Max (Ohms)	Current Max (mA)
C31034	C31034-NT	12	7.9	22	17	5.0	70
C31035	C31035-NT	15	2.5	22	15	6.0	65
C31036	C31036-NT	18	2.5	22	14	8.0	55
C31037	C31037-NT	22	2.5	22	13	10.0	50
C31038	C31038-NT	27	2.5	22	11	11.0	45
C31039	C31039-NT	33	2.5	22	10	13.0	43
C31040	C31040-NT	39	2.5	22	9	14.0	42
C31041	C31041-NT	47	2.5	22	8	15.0	40
C31042	C31042-NT	56	2.5	22	7	19.0	36
C31043	C31043-NT	68	2.5	22	6	24.0	32
C31044	C31044-NT	82	2.5	25	5	31.0	28
C31045	C31045-NT	100	2.5	25	4	40.0	25
C31046	C31046-NT	120	2.5	25	3	50.0	22

VE PART NUMBER STRUCTURE KEY

EXAMPLE: X31001-NT-F-K

PREFIX

C	Commercial Grade
R	RoHS

TABS

T	With Tabs
NT	Without Tabs

TOLERANCE

M	20%
K	10%
J	5%
*H	3%
*G	2%
*F	1%

* Consult Factory

C31000 SERIES

