



CMN20 SERIES NANOCRYSTALLINE COMMON MODE CHOKE



COTS+

ELECTRICAL SPECIFICATIONS

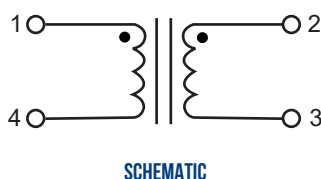
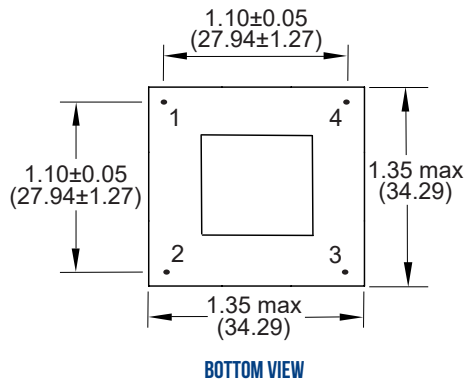
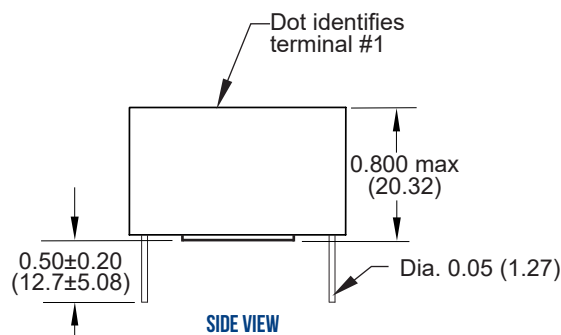
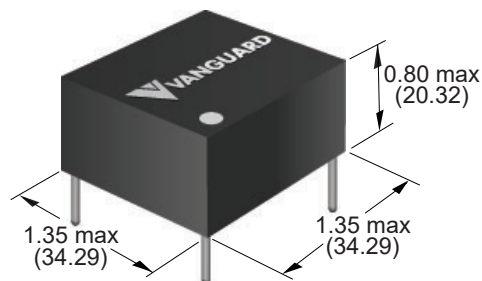
- **Operating Temperature:** -55°C to +125°C
- **Storage Temperature:** -60°C to +130°C
- **Temperature Rise @ 100°C:** < 30°C
- **Dielectric Withstanding Voltage:** 1000 V_{RMS}
- **Overload Current:** 1.5 times rated current
- **Different electrical values available upon request**

FEATURES

- **Terminations:** SnPb, Lead Free (RoHS)
- **Resistance to Soldering Heat:** 265°C for 10 seconds
- **Moisture, Shock and Immersion Resistant**
- **Magnetically Shielded**
- **Ideally designed for GaN applications and higher switching frequencies**
- **Designed with nanocrystalline core for superior thermal stability and higher frequency operations**

Inductance Range (mH)	DCR max (Ohms)	Current Rating (A)
0.55 - 75	0.003 - 0.335	14.3 - 1.4

DIMENSIONS: INCHES (MM)
MARKINGS: LASER ETCH OR INK



CUSTOM DESIGNS & MODIFICATIONS:

Other electrical configurations and performance characteristics are available in various sizes and package types





DATA TABLE

Vanguard P/N	Inductance @ 10kHz ± 30% (mH)	DCR Max (Ohms)	Rated Current (A)
CMN20-553TH	0.55	0.004	14.3
CMN20-104TH	1.0	0.004	12.6
CMN20-224TH	2.2	0.006	10.2
CMN20-504TH	5.0	0.009	8.4
CMN20-754TH	7.5	0.014	6.8
CMN20-105TH	10	0.020	5.6
CMN20-185TH	18	0.041	3.9
CMN20-255TH	25	0.060	3.2
CMN20-385TH	38	0.095	2.5
CMN20-525TH	52	0.175	2.3
CMN20-675TH	67	0.315	1.7
CMN20-755TH	75	0.335	1.4

1/ Inductance measured at 10 kHz, 0.10 V_{RMS}

2/ DCR measured at room ambient temperature (25°C)

VE PART NUMBER STRUCTURE KEY

INDUCTANCE (uH) (mH)

553 = 550 uH
754 = 7.5 mH
755 = 75 mH

EXAMPLE: CMN20-553THS-1-T

TERMINATION

S	SnPb
R	Pure Tin

RELIABILITY

1	COTS/EM
7	Other

PACKAGING (Default Bulk)

B	Bulk
---	------

CUSTOM DESIGNS & MODIFICATIONS:

Other electrical configurations and performance characteristics are available in various sizes and package types

