



WWC1812 SERIES

QPL: M83446/39



MIL-PRF-83446

ELECTRICAL SPECIFICATIONS

- **Inductance Range:** 0.01 uH to 1000 uH
- **Inductance Tolerance:** As Tabulated
- **Resistance to Solder Heat:** TBD
- **Operating Temperature:** -55°C to +125°C
- **Storage Temperature:** -60°C to +130°C
- **Temperature Rise:** 35°C Max at 90°C Ambient

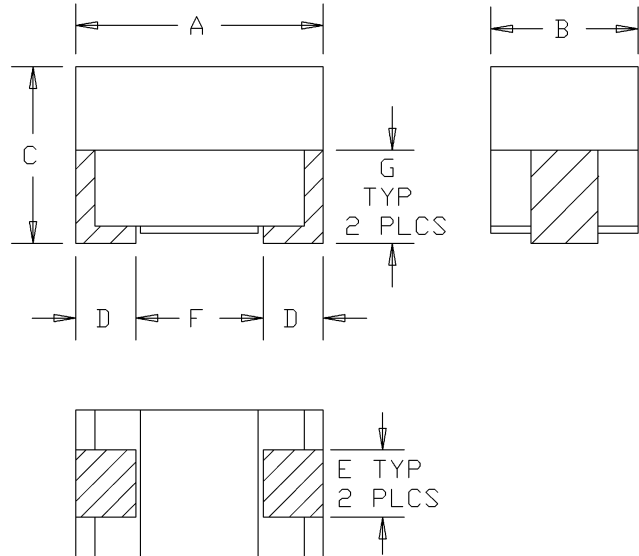
FEATURES

- **Transfer Molded Package**
- **Internal Welded Terminations**
- **Terminations:** Tin-lead
 - Contact Factory for Gold
- **Tape and Reel Packaging Available**
 - Available at 500 pieces max per reel
- **Recommended Mounting Technique**
 - Reflow Soldering

APPLICATIONS

- **Additional Application Grades Available:**
 - Space Grade (MIL-STD-981)
 - Commercial Grade or Equivalent

Inductance Range (uH)	Minimum Q	Current Rating (mA)
0.01 to 1000	30 to 50	55 to 1230



	Inches	mm
A	0.166 to 0.190	4.22 to 4.83
B	0.118 to 0.134	3.00 to 3.40
C	0.118 to 0.134	3.00 to 3.40
D	0.015 Min.	0.38 Min.
E	0.054 to 0.078	1.37 to 1.98
F	0.118 (Ref. Only)	3.00 (Ref. Only)
G	0.066 (Ref. Only)	1.68 (Ref only)





DATA TABLE

VE P/N	M83446/39 Dash No.	Inductance Nom (uH)	Q min	Test Freq (MHz)	SRF min (MHz)	DCR max (Ohms)	Current max (mA)
WWC1812-100M*-*-*	-01	0.010	40	50	1000	0.10	1230
WWC1812-120M*-*-*	-02	0.012	40	50	1000	0.10	1230
WWC1812-150M*-*-*	-03	0.015	40	50	1000	0.10	1230
WWC1812-180M*-*-*	-04	0.018	40	50	1000	0.10	1230
WWC1812-220M*-*-*	-05	0.022	40	50	1000	0.10	1230
WWC1812-270M*-*-*	-06	0.027	40	50	1000	0.15	1000
WWC1812-330M*-*-*	-07	0.033	40	50	1000	0.15	1000
WWC1812-390M*-*-*	-08	0.039	30	50	1000	0.20	870
WWC1812-470M*-*-*	-09	0.047	30	50	1000	0.20	870
WWC1812-560M*-*-*	-10	0.056	30	50	850	0.25	770
WWC1812-680M*-*-*	-11	0.068	25	50	750	0.25	770
WWC1812-820M*-*-*	-12	0.082	25	50	750	0.25	700
WWC1812-101K*-*-*	-13	0.10	30	25	650	0.30	818
WWC1812-121K*-*-*	-14	0.12	30	25	600	0.30	818
WWC1812-151K*-*-*	-15	0.15	30	25	500	0.30	818
WWC1812-181K*-*-*	-16	0.18	30	25	400	0.35	757
WWC1812-221K*-*-*	-17	0.22	30	25	350	0.40	708
WWC1812-271K*-*-*	-18	0.27	30	25	300	0.45	668
WWC1812-331K*-*-*	-19	0.33	30	25	250	0.55	604
WWC1812-391K*-*-*	-20	0.39	30	25	220	0.70	535
WWC1812-471K*-*-*	-21	0.47	30	25	190	0.80	501
WWC1812-561K*-*-*	-22	0.56	30	25	170	1.20	409
WWC1812-681K*-*-*	-23	0.68	30	25	150	1.40	379
WWC1812-821K*-*-*	-24	0.82	30	25	140	1.60	354
WWC1812-102J*-*-*	-25	1.0	50	7.9	100	0.50	634
WWC1812-122J*-*-*	-26	1.2	50	7.9	80	0.55	604
WWC1812-152J*-*-*	-27	1.5	50	7.9	70	0.60	578
WWC1812-182J*-*-*	-28	1.8	50	7.9	60	0.65	556
WWC1812-222J*-*-*	-29	2.2	50	7.9	55	0.70	535
WWC1812-272J*-*-*	-30	2.7	50	7.9	50	0.75	517
WWC1812-332J*-*-*	-31	3.3	50	7.9	45	0.80	501
WWC1812-392J*-*-*	-32	3.9	50	7.9	40	0.90	472
WWC1812-472J*-*-*	-33	4.7	50	7.9	35	1.00	448
WWC1812-562J*-*-*	-34	5.6	50	7.9	33	1.10	427
WWC1812-682J*-*-*	-35	6.8	50	7.9	27	1.20	409
WWC1812-822J*-*-*	-36	8.2	50	7.9	25	1.40	375
WWC1812-103J*-*-*	-37	10	50	7.9	20	1.60	354
WWC1812-123J*-*-*	-38	12	50	2.5	18	2.00	317
WWC1812-153J*-*-*	-39	15	50	2.5	17	2.50	283

CUSTOM DESIGNS & MODIFICATIONS:

Other electrical configurations and performance characteristics are available in various sizes and package types





DATA TABLE

VE P/N	M83446/39 Dash No.	Inductance Nom (uH)	Q min	Test Freq (MHz)	SRF min (MHz)	DCR max (Ohms)	Current max (mA)
WWC1812-183J*-*	-40	18.0	50	2.5	15	2.80	268
WWC1812-223J*-*	-41	22.0	50	2.5	13	3.20	250
WWC1812-273J*-*	-42	27.0	50	2.5	12	3.60	236
WWC1812-333J*-*	-43	33.0	50	2.5	11	4.00	224
WWC1812-393J*-*	-44	39.0	50	2.5	10	4.50	211
WWC1812-473J*-*	-45	47.0	50	2.5	10	5.00	200
WWC1812-563J*-*	-46	56.0	50	2.5	9	5.50	191
WWC1812-683J*-*	-47	68.0	50	2.5	9	6.00	183
WWC1812-823J*-*	-48	82.0	50	2.5	8	7.00	169
WWC1812-104J*-*	-49	100	50	2.5	8	8.00	158
WWC1812-124J*-*	-50	120	40	0.79	6	8.0	158
WWC1812-154J*-*	-51	150	40	0.79	6	9.0	149
WWC1812-184J*-*	-52	180	40	0.79	5	9.5	145
WWC1812-224J*-*	-53	220	40	0.79	4	10.0	142
WWC1812-274J*-*	-54	270	40	0.79	4	12.0	129
WWC1812-334J*-*	-55	330	40	0.79	3.5	14.0	120
WWC1812-394J*-*	-56	390	40	0.79	3.0	20.0	100
WWC1812-474J*-*	-57	470	40	0.79	3.0	26.0	88
WWC1812-564J*-*	-58	560	30	0.79	3.0	30.0	82
WWC1812-684J*-*	-59	680	30	0.79	3.0	30.0	82
WWC1812-824J*-*	-60	820	30	0.79	2.5	45.0	67
WWC1812-105J*-*	-61	1000	30	0.79	2.5	60.0	55

VE PART NUMBER STRUCTURE KEY

EXAMPLE: WWC1812-100MS-3-T

INDUCTANCE (nH)

The first two digits are significant. The last digit specifies zeroes to follow:

333 = 33 uH

TOLERANCE (%)

J	± 5
K	± 10
M	± 20
P	± 25

TERMINATION

S	SnPb
G	Gold
R	Pure Tin

RELIABILITY

1	COTS/EM
2	Group A
3	Group A+B
4	Group A+B+C
7	Other

PACKAGING (Default Bulk)

B	Bulk
T	Tape and Reel

CUSTOM DESIGNS & MODIFICATIONS:

Other electrical configurations and performance characteristics are available in various sizes and package types

WWC1812 SERIES

