



## HILO SERIES

PLANAR INDUCTORS



MIL-PRF-27

### ELECTRICAL SPECIFICATIONS

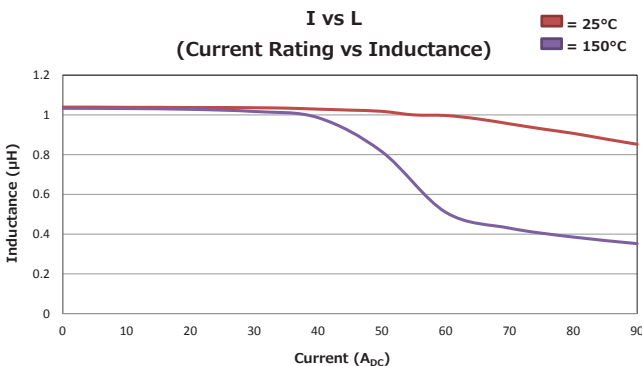
- **Operating Temperature:** -55°C to +125°C
- **Storage Temperature:** -60°C to +130°C
- **Temperature Rise @ 90°C:** < 40°C
- **Dielectric Withstanding Voltage:** 100 V<sub>RMS</sub>
- **Different electrical values available upon request**

### FEATURES

- **Compact** ideal for automatic placement
- **HIGH Power Density, LOW Profile**
- **LOW Power Losses, HIGH Efficiency**
- Built to meet **MIL-PRF-27** specifications
- **Terminations:** Tin-lead or RoHS compliant
- **Co-planarity:** ± 0.006
- **High reliability**
- **Other termination finishes available**

### APPLICATIONS

- High current inductor for POL
- High current low profile for power supplies
- Low resistance ideal for battery based systems
- Designed for use in harsh environments
- High current ideal for use with low voltage FPGA

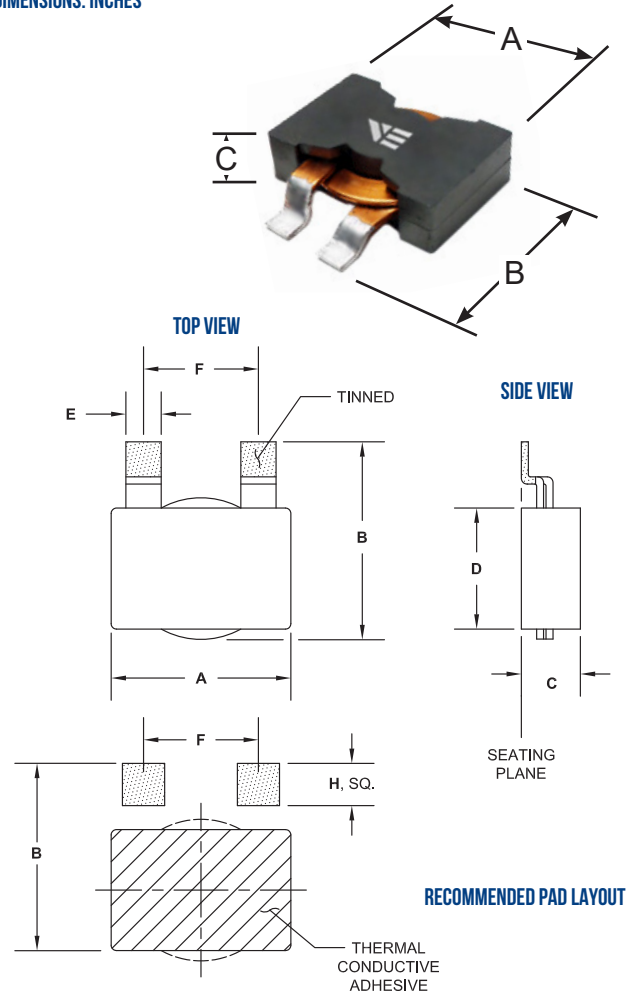


### CUSTOM DESIGNS & MODIFICATIONS:

Other electrical configurations and performance characteristics are available in various sizes and package types

Current Rating (A)	DCR (mOhms)	Inductance Range (µH)
4 to 75	0.45 to 9.6	0.10 to 20

ALL DIMENSIONS: INCHES



Package	A max	B* max	C max	D max	E (±.010)	F (±.030)	H ref.	Wt. ref.
HILO2518	1.00	1.10	0.35	0.725	0.197	0.642	0.236	20g
HILO1209AL	0.49	0.55	0.22	0.365	0.071	0.300	0.085	3g
HILO1209A	0.49	0.50	0.22	0.365	0.071	0.300	0.085	3g
HILO1209B	0.49	0.50	0.285	0.365	0.071	0.300	0.085	3.5g
HILO1209CL	0.49	0.55	0.33	0.365	0.071	0.300	0.085	4g
HILO1209C	0.49	0.50	0.33	0.365	0.071	0.300	0.085	4g
HILO1005	0.40	0.50	0.19	0.320	0.071	0.220	0.085	2g
HILO0906	0.38	0.40	0.20	0.200	0.071	0.170	0.085	1.5g

\*Dimension is based off design calculations and can be subjected to a minor modification.





Vanguard P/N	Inductance ref. (uH)	DCR max (mOhms)	Saturation Current* (A <sub>DC</sub> )	Max Current Rating** (A <sub>RMS</sub> )
HILO2518-R68*-**	0.68	0.80	70	48
HILO2518-R82*-**	0.82	0.80	65	48
HILO2518-1R0*-**	1.0	0.80	60	48
HILO2518-1R2*-**	1.2	0.80	55	48
HILO2518-1R5*-**	1.5	0.80	50	48
HILO2518-1R8*-**	1.8	1.4	50	35
HILO2518-2R2*-**	2.2	1.4	44	35
HILO2518-3R3*-**	3.3	3.0	35	24
HILO2518-4R7*-**	4.7	3.0	30	24
HILO2518-5R6*-**	5.6	3.0	26	24
HILO2518-6R8*-**	6.8	6.3	28	16
HILO2518-8R2*-**	8.2	6.3	24	16
HILO2518-10R*-**	10.0	6.3	20	16
HILO2518-20R*-**	20.0	6.3	10	16
HILO1209AL-R22*-**	0.22	1.10	60	15
HILO1209AL-R33*-**	0.33	1.10	52	15
HILO1209AL-R47*-**	0.47	1.10	34	15
HILO1209AL-R56*-**	0.56	1.10	30	15
HILO1209AL-R68*-**	0.68	1.10	24	15
HILO1209AL-R82*-**	0.82	1.10	18	15
HILO1209AL-1R0*-**	1.0	1.10	15	15
HILO1209A-1R5*-**	1.5	2.10	16	10
HILO1209A-1R8*-**	1.8	2.10	13	10
HILO1209A-2R2*-**	2.2	2.10	10	10
HILO1209A-3R3*-**	3.3	5.40	12	6
HILO1209A-4R7*-**	4.7	5.40	8	6
HILO1209A-5R6*-**	5.6	5.40	7	6
HILO1209A-6R8*-**	6.8	5.40	6	6
HILO1209A-8R2*-**	8.2	9.60	6	5
HILO1209A-10R*-**	10.0	9.60	5	5
HILO1209B-8R2*-**	8.2	9.5	8	6
HILO1209B-R10*-**	10.0	9.5	7	6
HILO1209B-R12*-**	12.0	9.5	6	6
HILO1209B-R15*-**	15.0	9.5	5	6
HILO1209B-R18*-**	18.0	9.5	4	6
HILO1209CL-R10*-**	0.10	0.45	75	40
HILO1209CL-R15*-**	0.15	0.45	72	40
HILO1209CL-R18*-**	0.18	0.45	70	40
HILO1209CL-R22*-**	0.22	0.45	60	40

Inductance measured at 10 kHz, 1.0 V<sub>RMS</sub>

\* Inductance drop < 30% at specified Saturation Current

\*\* Temperature rise < 40°C at Rating Current

CUSTOM DESIGNS & MODIFICATIONS:

Other electrical configurations and performance characteristics are available in various sizes and package types





Vanguard P/N	Inductance ref. (uH)	DCR max (mOhms)	Saturation Current* (A <sub>DC</sub> )	Max Current Rating** (A <sub>RMS</sub> )
HILO1209CL-R33*-**	0.33	0.45	40	40
HILO1209C-R47*-**	0.47	1.40	44	20
HILO1209C-R56*-**	0.56	1.40	40	20
HILO1209C-R68*-**	0.68	1.40	38	20
HILO1209C-R82*-**	0.82	1.40	35	20
HILO1209C-1R0*-**	1.0	1.40	30	20
HILO1209C-1R2*-**	1.2	1.40	20	20
HILO1209C-1R5*-**	1.5	2.43	24	14
HILO1209C-1R8*-**	1.8	2.43	18	14
HILO1209C-2R2*-**	2.2	2.43	16	14
HILO1209C-3R3*-**	3.3	2.43	12	14
HILO1209C-4R7*-**	4.7	4.09	11	10
HILO1209C-5R6*-**	5.6	4.09	10	10
HILO1209C-6R8*-**	6.8	6.44	10	8
HILO1209C-8R2*-**	8.2	6.44	8	8
HILO1209C-10R*-**	10.0	6.44	7	8
HILO1005-R33*-**	0.33	0.82	20	14
HILO1005-R47*-**	0.47	0.82	16	14
HILO1005-R56*-**	0.56	0.82	15	14
HILO1005-R68*-**	0.68	0.82	13	14
HILO1005-R82*-**	0.82	0.82	10	14
HILO1005-1R0*-**	1.0	3.04	12	8
HILO1005-1R5*-**	1.5	3.04	9	8
HILO1005-1R8*-**	1.8	3.04	7	8
HILO1005-2R2*-**	2.2	3.04	7	8
HILO1005-3R3*-**	3.3	3.04	5	8
HILO1005-4R7*-**	4.7	6.22	4.5	4
HILO1005-5R6*-**	5.6	6.22	3.5	4
HILO1005-6R8*-**	6.8	6.22	3	4
HILO1005-8R2*-**	8.2	6.22	2.5	4
HILO1005-10R*-**	10.0	6.22	2	4
HILO0906-R33*-**	0.33	1.8	20	12
HILO0906-R47*-**	0.47	1.8	18	12
HILO0906-R56*-**	0.56	1.8	16	12
HILO0906-R68*-**	0.68	1.8	14	12
HILO0906-R82*-**	0.82	1.8	12	12
HILO0906-1R0*-**	1.0	3.5	14	8
HILO0906-1R5*-**	1.5	3.5	9	8
HILO0906-1R8*-**	1.8	3.5	8	8

Inductance measured at 10 kHz, 1.0 V<sub>RMS</sub>

\* Inductance drop < 30% at specified Saturation Current

\*\* Temperature rise < 40°C at Rating Current

### CUSTOM DESIGNS & MODIFICATIONS:

Other electrical configurations and performance characteristics are available in various sizes and package types

## HILO SERIES





Vanguard P/N	Inductance ref. (uH)	DCR max (mOhms)	Saturation Current* (A <sub>DC</sub> )	Max Current Rating** (A <sub>RMS</sub> )
HILO0906-2R2*-*-*	2.2	6.0	8	6
HILO0906-3R3*-*-*	3.3	6.0	6	6
HILO0906-4R7*-*-*	4.7	8.8	5	4
HILO0906-5R6*-*-*	5.6	8.8	4	4
HILO0906-6R8*-*-*	6.8	8.8	3.2	4
HILO0906-8R2*-*-*	8.2	8.8	2.8	4
HILO0906-10R*-*-*	10	8.8	2.4	4

Inductance measured at 10 kHz, 1.0 V<sub>RMS</sub>

\* Inductance drop < 30% at specified Saturation Current

\*\* Temperature rise < 40°C at Rating Current

### VE PART NUMBER STRUCTURE KEY

EXAMPLE: HILO2518-R68S-1-T

#### INDUCTANCE (uH)

0.68  
R68

\*R = Decimal point

10u = 10R

#### TERMINATION

S	SnPb
R	RoHS

#### RELIABILITY

1	COTS/EM
2	Group A (Level M)
3	Qualification (Level M)
4	Group A (Level T)
5	Qualification (Level T)
8	Other

#### PACKAGING (Default Bulk)

B	Bulk
T	Tape and Reel

### CUSTOM DESIGNS & MODIFICATIONS:

Other electrical configurations and performance characteristics are available in various sizes and package types

