



SPL6 SERIES

HIGH CURRENT



ALL PARTS AVAILABLE AS CLASS S OR CLASS B

MIL-STD-981

Inductance Range (uH)	DCR (Ohms)	Current Rating (Amps)
1.0 to 4700.0	0.009 to 23.00	9.2 to 0.16

ELECTRICAL SPECIFICATIONS

- **Operating Temperature:** -55°C to +130°C
- **Storage Temperature:** -60°C to +135°C
- **Temperature Rise @ 100°C:** < 30°C
- **Dielectric Withstanding Voltage:** 500 V_{RMS}
- **Different electrical values available upon request**
- **Outgassing per ASTM E595 (TML <1%, CVCM <0.1%)**

FEATURES

- **Compact**, low profile, ideal for automatic placement
- **Terminations:** Tin-lead
- **Other termination finishes available**
- **Built to meet MIL-STD-981 specifications**
- **Order to VE part number**

MIL-STD-981 Testing:

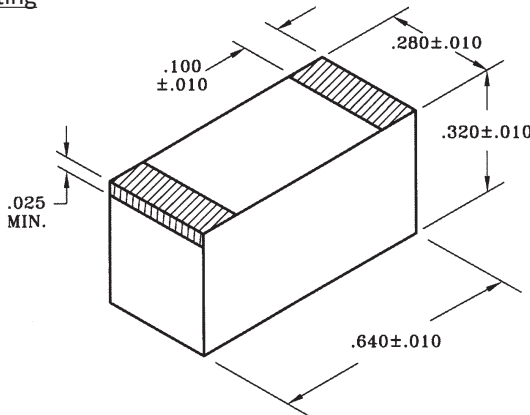
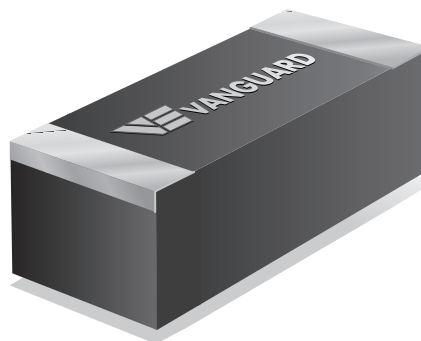
Add "-S" suffix for Class S Testing

Add "-B" suffix for Class B Testing

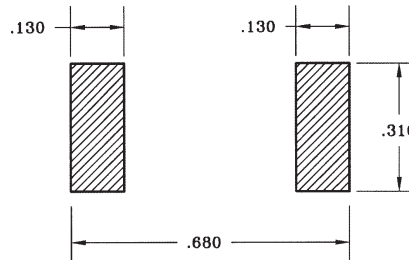
APPLICATIONS

- Filter inductors
- Power supplies
- Ripple suppressors
- DC/DC converters
- SEPIC converters

MARKINGS: LASER ETCH OR INK



RECOMMENDED PAD MOUNTING



CUSTOM DESIGNS & MODIFICATIONS:

Other electrical configurations and performance characteristics are available in various sizes and package types

SPL6 SERIES





DATA TABLE

Vanguard P/N	Inductance @ 0 Amps DC (uH)	Rated Current max (Amps)	DCR max (Ohms)
SPL6-01	1.0	9.2	0.009
SPL6-02	1.2	8.9	0.010
SPL6-03	1.5	8.7	0.011
SPL6-04	1.8	8.6	0.012
SPL6-05	2.2	8.5	0.015
SPL6-06	2.7	8.4	0.016
SPL6-07	3.3	8.3	0.022
SPL6-08	3.9	8.0	0.020
SPL6-09	4.7	7.5	0.022
SPL6-10	5.6	7.2	0.024
SPL6-11	6.8	6.3	0.036
SPL6-12	8.2	5.2	0.045
SPL6-13	10.0	4.4	0.052
SPL6-14	12.0	4.0	0.065
SPL6-15	15.0	3.6	0.076
SPL6-16	18.0	3.3	0.081
SPL6-17	22.0	2.9	0.120
SPL6-18	27.0	2.5	0.135
SPL6-19	33.0	2.0	0.165
SPL6-20	39.0	1.9	0.185
SPL6-21	47.0	1.8	0.210
SPL6-22	56.0	1.7	0.230
SPL6-23	68.0	1.5	0.300
SPL6-24	82.0	1.20	0.350
SPL6-25	100.0	1.00	0.450
SPL6-26	120.0	0.90	0.600
SPL6-27	150.0	0.85	0.600
SPL6-28	180.0	0.80	0.920
SPL6-29	220.0	0.75	1.05
SPL6-30	270.0	0.70	1.20
SPL6-31	330.0	0.65	1.40
SPL6-32	390.0	0.60	1.80
SPL6-33	470.0	0.55	2.15
SPL6-34	560.0	0.50	2.40
SPL6-35	680.0	0.45	2.70
SPL6-36	820.0	0.42	3.80
SPL6-37	1000.0	0.40	4.10
SPL6-38	1200.0	0.35	5.45
SPL6-39	1500.0	0.30	7.30
SPL6-40	1800.0	0.28	8.60
SPL6-41	2200.0	0.25	9.70
SPL6-42	2700.0	0.22	11.20
SPL6-43	3300.0	0.20	15.50
SPL6-44	3900.0	0.18	20.65
SPL6-45	4700.0	0.16	23.00

Inductance measured at 1 kHz, 1 V_{RMS}

CUSTOM DESIGNS & MODIFICATIONS:

Other electrical configurations and performance characteristics are available in various sizes and package types

SPL6 SERIES



