



PL75 SERIES



RoHS & XT VERSIONS AVAILABLE

COTS+

Inductance Range (uH)	DCR max (Ohms)	Current Rating (Amps)
1.7 to 58.2	.006 to .140	1.0 to 8.0

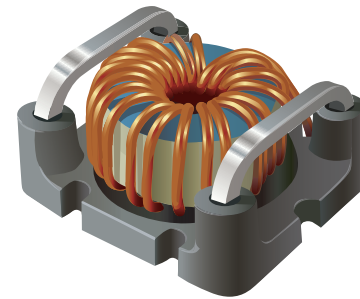
ELECTRICAL SPECIFICATIONS

- **Operating Temperature:** -25°C to +130°C
- **Storage Temperature:** -30°C to +135°C
- **Temperature Rise @ 85°C:** 45°C maximum
- **Insulation Resistance:** 100 MOhms minimum
- **Standard Inductance Tolerance:** ± 10%
- **Different electrical values available upon request**

FEATURES

- Ideal for automatic placement
- Compatible with all standard solder installation methods: Reflow/Flow, Wave, Infrared, and Vapor Phase
- **Meets MIL-PRF-27** vibration test
- **Terminations:** Tin-lead
- **Other termination finishes available**

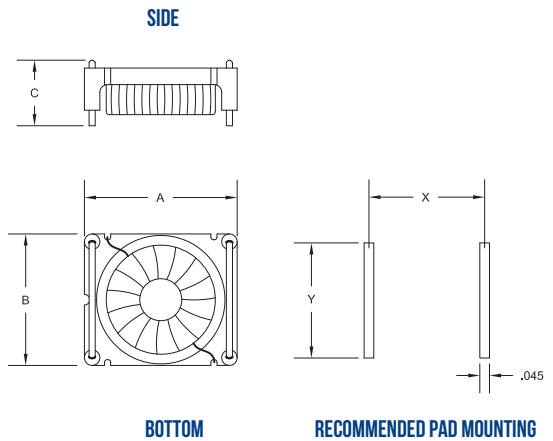
MARKINGS: LASER ETCH OR INK



Case Size	A	B	C	X	Y
B501	.620	.520	.385	.500	.400
B502	.725	.570	.395	.600	.450

Tolerances ± .010 Measurements are in inches.

Vanguard P/N	Rated Current max (DCA)	Inductance @ 0 Amps DC (uH ±10%)	Inductance @ Rated Current min (uH)	DCR max (Ohms)	Case Size
PL75-01	1.00	41.6	30.0	.140	B501
PL75-02	1.50	26.6	17.95	.067	B501
PL75-03	2.0	16.3	11.00	.052	B501
PL75-04	2.50	10.4	7.05	.036	B501
PL75-05	3.50	5.1	3.44	.025	B501
PL75-10	1.0	80.9	58.2	.132	B502
PL75-15	1.5	59.4	40.1	.088	B502
PL75-20	2.0	41.3	27.9	.060	B502
PL75-25	3.5	26.4	17.8	.035	B502
PL75-30	5.0	9.5	6.4	.016	B502
PL75-40	7.0	4.2	2.8	.008	B502
PL75-50	8.0	2.4	1.7	.006	B502



CUSTOM DESIGNS & MODIFICATIONS:

Other electrical configurations and performance characteristics are available in various sizes and package types

PL75 SERIES

