



# PL 18 SERIES

SELF-LEADED SMT TOROIDAL INDUCTOR



RoHS VERSION AVAILABLE

COTS +

Inductance Range (uH)	DCR max (Ohms)	Rated Current (Amps)
0.38 to 1204.22	0.006 to 3.804	0.20 to 6.00

## ELECTRICAL SPECIFICATIONS

- **Operating Temperature:** -40°C to +125°C
- **Storage Temperature:** -45°C to +130°C
- **Temperature Rise @ 85°C:** 40°C
- **Inductance at rated DC:** ± 20%
- **Different electrical values available upon request**

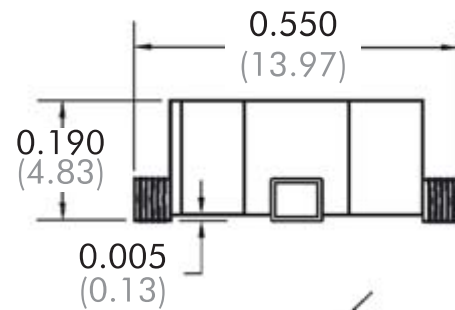
## FEATURES

- Ideal for automatic placement
- **Terminations:** Tin-lead
- **Other termination finishes available**

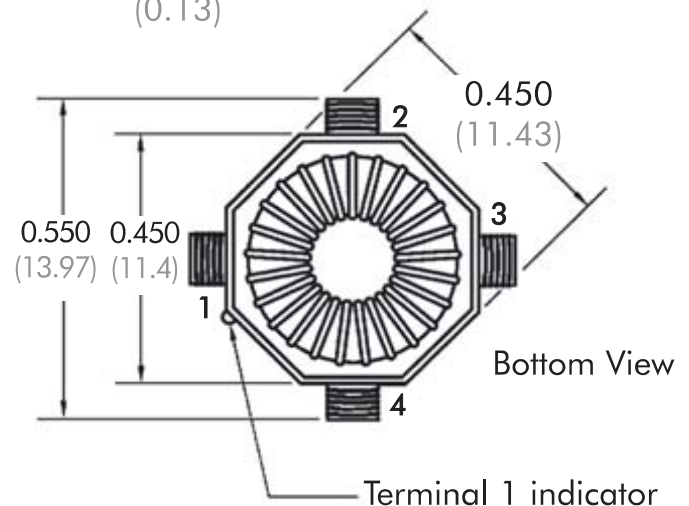
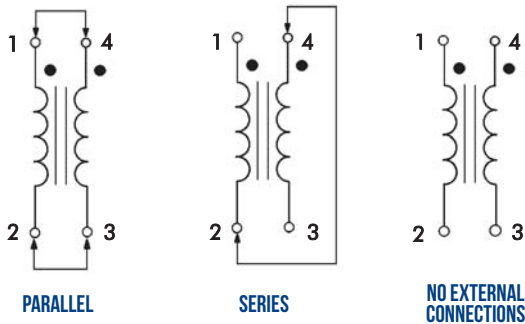
MARKINGS: LASER ETCH OR INK



### PACKAGE B413



### TYPICAL USER CONNECTIONS



Dimensions in Inches. Tolerances ± .010 (unless otherwise stated)

### CUSTOM DESIGNS & MODIFICATIONS:

Other electrical configurations and performance characteristics are available in various sizes and package types





PARALLEL

Vanguard P/N	Inductance @ 0 Amps (uH ± 20%)	Inductance @ Rated DCA min (uH)	Rated Current (Amps) DC	DCR max (Ohms)
PL18-01	0.38	0.27	6.00	0.006
PL18-02	0.60	0.42	5.00	0.006
PL18-03	0.86	0.57	4.80	0.007
PL18-04	1.94	1.05	4.70	0.010
PL18-05	4.70	2.56	3.00	0.020
PL18-06	7.78	3.74	2.80	0.025
PL18-07	9.60	4.38	2.70	0.028
PL18-08	15.00	7.26	2.00	0.043
PL18-09	20.18	10.76	1.50	0.078
PL18-10	24.58	15.64	0.98	0.087
PL18-11	32.86	19.69	0.96	0.083
PL18-12	50.78	27.18	0.94	0.240
PL18-13	67.42	36.53	0.80	0.278
PL18-14	101.40	52.48	0.70	0.346
PL18-15	149.78	97.16	0.38	0.430
PL18-16	198.74	119.18	0.39	0.619
PL18-17	301.06	157.44	0.40	0.951

SERIES

Vanguard P/N	Inductance @ 0 Amps (uH ± 20%)	Inductance @ Rated (Amps) DC	Rated Current (Amps) DC	DCR max (Ohms)
PL18-01	1.54	1.08	3.00	0.021
PL18-02	2.40	1.67	2.50	0.024
PL18-03	3.46	2.28	2.40	0.028
PL18-04	7.78	4.22	2.35	0.040
PL18-05	18.82	10.26	1.50	0.077
PL18-06	31.10	14.98	1.40	0.100
PL18-07	38.40	17.54	1.35	0.112
PL18-08	60.00	29.06	1.00	0.172
PL18-09	80.74	43.04	0.75	0.312
PL18-10	98.30	62.56	0.49	0.346
PL18-11	131.42	78.77	0.48	0.331
PL18-12	203.14	108.71	0.47	0.957
PL18-13	269.66	146.11	0.40	1.109
PL18-14	405.60	209.93	0.35	1.381
PL18-15	599.14	388.63	0.19	1.718
PL18-16	794.98	476.71	0.20	2.475
PL18-17	1204.22	629.75	0.20	3.804

CUSTOM DESIGNS & MODIFICATIONS:

Other electrical configurations and performance characteristics are available in various sizes and package types

## PL 18 SERIES

