



PL 14 SERIES



RoHS & XT VERSIONS AVAILABLE

COTS +

Inductance Range (uH)	DCR (Ohms)	Current Rating (Amps)
5.0 to 1000	0.050 to 9.60	0.08 to 1.10

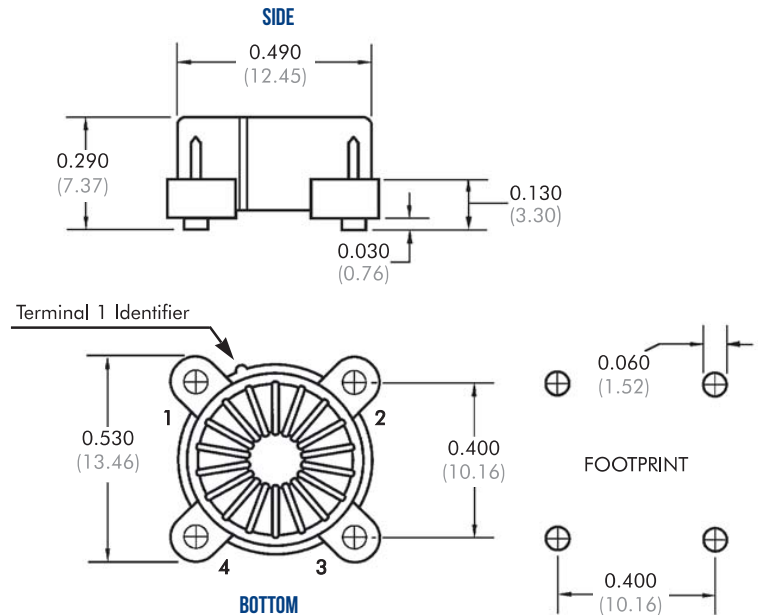
ELECTRICAL SPECIFICATIONS

- **Operating Temperature:** -40°C to +85°C
- **Storage Temperature:** -45°C to +90°C
- **Dielectric Withstanding Voltage:** 500 V_{AC}
- **Different electrical values available upon request**

FEATURES

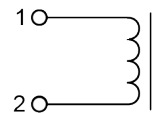
- **Compact**, low profile, ideal for automatic placement
- Compatible with all standard solder installation methods.
- **Terminations:** Tin-lead
- **Magnetically shielded**
- **Other termination finishes available**
- **Order to VE part number**

MARKINGS: LASER ETCH OR INK



Dimensions: inches (mm) Tolerances (unless otherwise stated) ±.010 inches, ±.25 mm.

SCHEMATIC



PINS 3 & 4 ARE N/C

CUSTOM DESIGNS & MODIFICATIONS:

Other electrical configurations and performance characteristics are available in various sizes and package types

PL 14 SERIES





DATA TABLE

Vanguard P/N	Inductance ±10% (uH)	DCR max (Ohms)	Rated DC (mA)
PL14-01	5.0	0.050	1100
PL14-02	5.6	0.053	1050
PL14-03	6.8	0.056	990
PL14-04	8.2	0.065	895
PL14-05	10	0.085	810
PL14-06	12	0.09	745
PL14-07	15	0.10	663
PL14-08	18	0.13	595
PL14-09	20	0.14	570
PL14-10	22	0.15	540
PL14-11	25	0.19	510
PL14-12	27	0.20	497
PL14-13	30	0.21	470
PL14-14	33	0.22	447
PL14-15	39	0.24	406
PL14-16	47	0.33	373
PL14-17	50	0.34	358
PL14-18	56	0.45	344
PL14-19	68	1.00	308
PL14-20	75	1.05	294
PL14-21	82	1.33	284
PL14-22	100	1.48	255
PL14-23	120	1.62	232
PL14-24	150	1.80	208
PL14-25	180	2.48	190
PL14-26	200	2.61	180
PL14-27	220	2.74	172
PL14-28	250	2.92	161
PL14-29	270	3.02	155
PL14-30	300	3.17	147
PL14-31	330	4.39	140
PL14-32	390	4.72	129
PL14-33	470	5.20	117
PL14-34	500	5.33	114
PL14-35	560	5.67	107
PL14-36	680	7.96	97
PL14-37	750	8.35	93
PL14-38	820	8.69	89
PL14-39	1000	9.60	80

Inductance is measured at 0.1 V_{RMS} and 10 kHz

CUSTOM DESIGNS & MODIFICATIONS:

Other electrical configurations and performance characteristics are available in various sizes and package types

PL 14 SERIES

